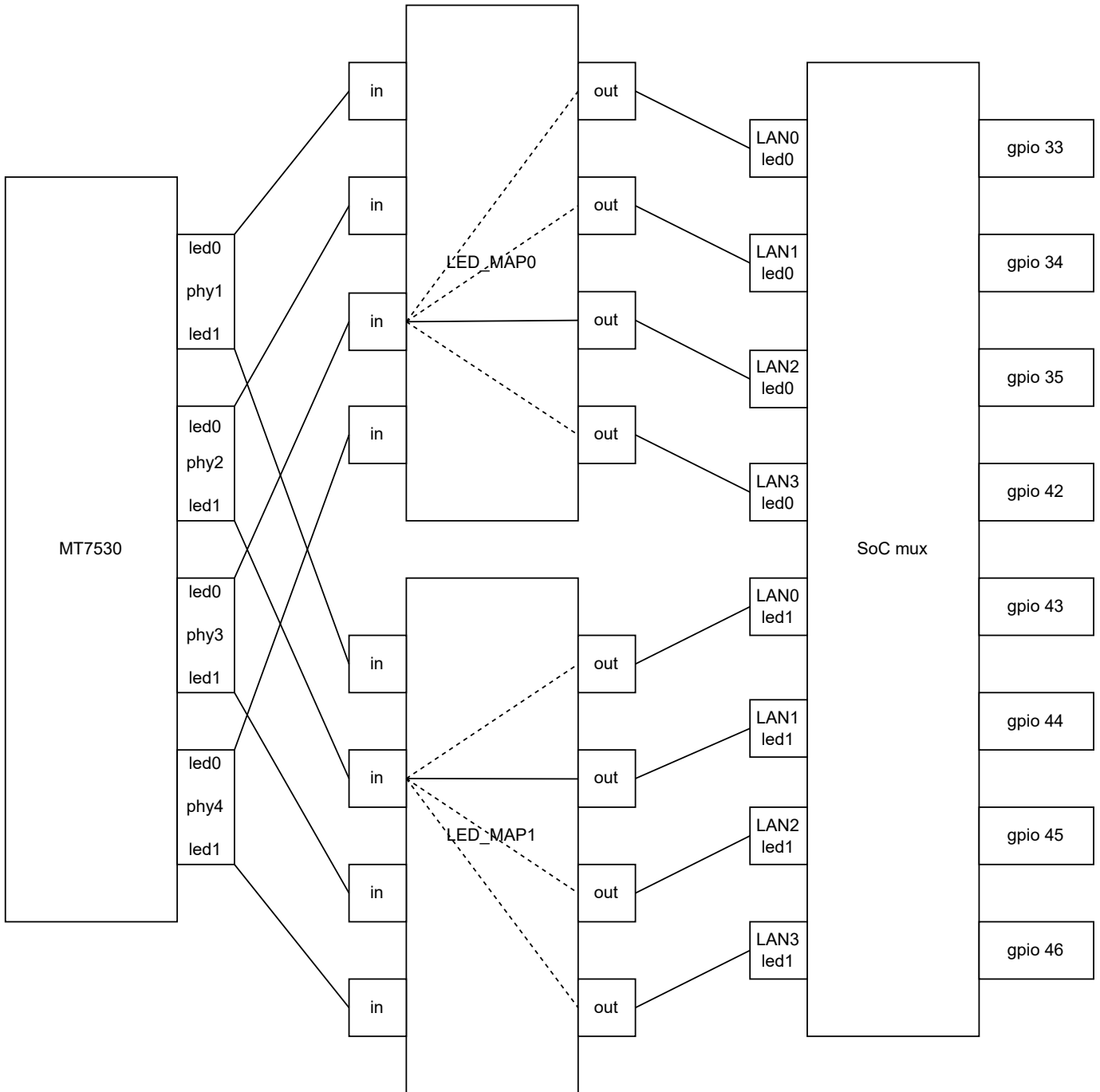


# AN7581 phy leds mapping options



By default the led map configuration just pass-through the phy led signals in a 1:1 setup from in to out (straight line). But as can be seen from the dashed lines it is possible to route any in pin to any out pin. This combined with the phy leds being configurable gives a high degree of freedom with regards to SoC pin function selection.